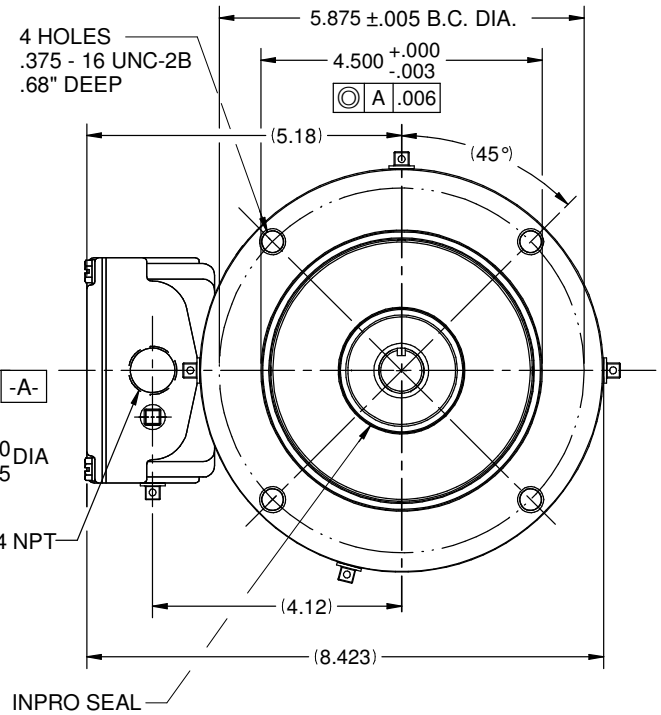
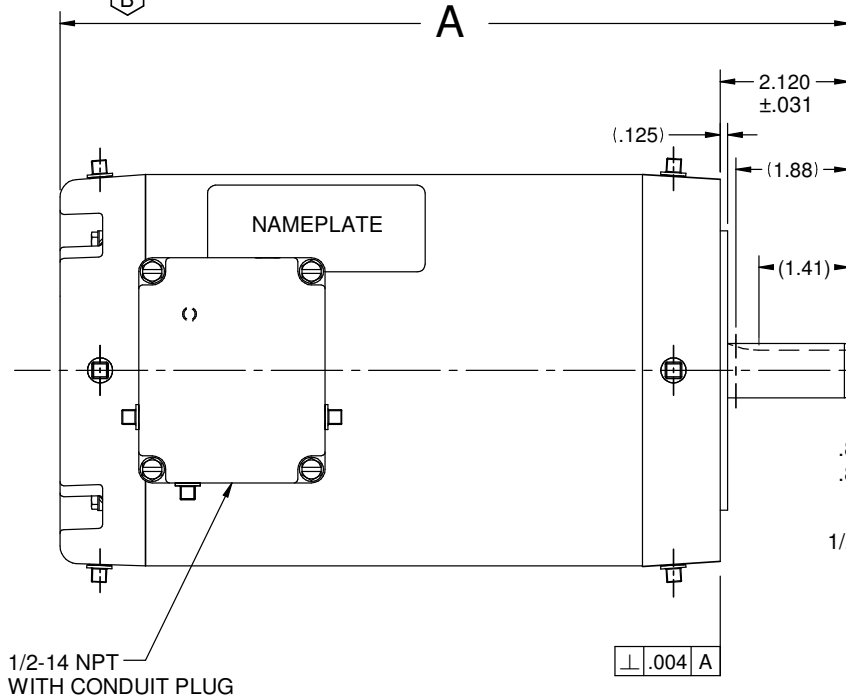
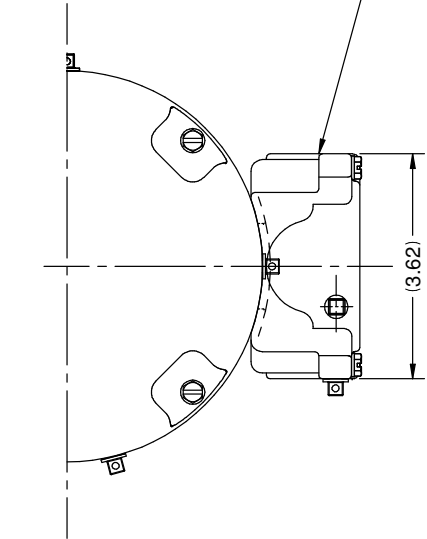
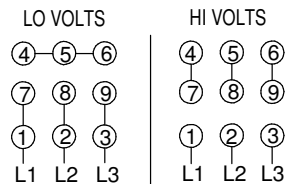


VAR	MODEL	CUSTOMER	CATALOG NO.	A	B	C	D	HP	VOLTS	SF	AMPS	HZ	RPM	PROTECTOR	BASE REQUIREMENT	DESCRIPTION / REMARKS
001	P63TLE-4013	USEM	WDP1P2ACR	14.31	-----	-----	-----	1.0	208-230/460&190/380	1.15	3.5-3.4/1.7	60&50	1725&1425	NONE	NONE	N145TC, TENV, STAINLESS STEEL SHELL
002	P63FGB-1565	USEM	WDP1P2ACR	14.31	-----	-----	-----	1.0	208-230/460&190/380	1.15	3.5-3.4/1.7	60&50	1725&1425	NONE	NONE	N145TC, TENV, STAINLESS STEEL SHELL

GASKETS UNDER CONDUIT BOX AND CONDUIT BOX COVER



CONNECTIONS



TO REVERSE ROTATION INTERCHANGE ANY TWO LINE LEADS.

NOTES:

- (11) 1/4-18 PLASTIC DRAIN PLUGS; (4) IN C-FACE (4) IN OPPOSITE SHAFT END ENDSHIELD AND (3) IN CONDUIT BOX.
- 303 STAINLESS STEEL SHAFT KEY SHIPPED WITH MOTOR.

NIDEC MOTOR CORPORATION 18-Sep-17

REFER TO S.E.I.M. 24-1

REVISION RECORD FOR:

ECO E29673
 UPDATED DIMENSION "A" FROM 14.25" TO 14.31" ON THE VARIATIONS 001 & 002 (PAGES 1 & 2).
 AND CHANGED LOCATION OF SEAM WELD FROM 4:30 HRS TO 6:00 HRS (PAGES 3 & 4).

DIMENSIONS ARE FOR REFERENCE ONLY

UNLESS TOLERANCE IS SPECIFIED

NIDEC MOTOR CORPORATION

INFORMATION DISCLOSED ON THIS DOCUMENT IS CONSIDERED PROPRIETARY AND SHALL NOT BE REPRODUCED OR DISCLOSED WITHOUT WRITTEN CONSENT OF NIDEC MOTOR CORPORATION

REVISION DATE:
18-SEP-17

ISSUED BY: G. MEDINA

ENGINEER APPROVED: M. SCHUETTE

TITLE
CUSTOMER DETAIL DRAWING

CODE
V02

ITEM NO.
810148

REV
B

SHEET NUMBER
1 OF 5

DWG SIZE
B